

WALLPLATES FACEPLATE

A FACEPLATE IN NETWORKING IS THE INTERFACE BETWEEN YOUR NETWORKING CABLES AND YOUR DEVICES. THIS LITTLE PIECE ENSURES A SEAMLESS FLOW OF DATA AND SIGNALS FROM ONE PLACE TO ANOTHER.



FACE PLATE, 86*86, SHUTTER, 2-PORT, WHITE

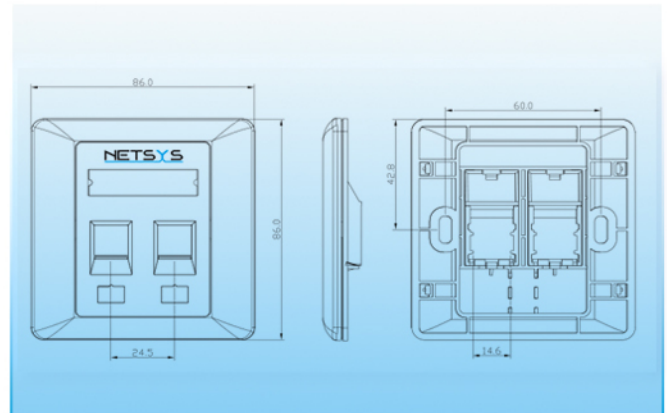
NS-FP8686-SH-2

DESCRIPTION

Face Plate, Right Angle, 86x86, With Shutter, Double Port, and Labeling Plate, White

FEATURES

- Angled type is for reducing the mounting depth requirements.
- Work with RJ45 keystone jack, junction box and networking adapters.
- Compact design and easy to snap-in and snap-out.
- Made of Durable high quality ABS, UL94V-0 plastic.
- Type of Cabling: Copper Cabling .



APPLICATIONS

- Suitable for data centers, central room, industrial facilities, etc.
- For any standard keystone jack specification.



Snap-in	No. of Port	Faceplate Type	Pack Type	Material	color	Certification
Cat.5e/Cat.6/Cat.6A Keystone Jack	2 Port	86*86 mm	Bag	Plastic ABS	White	CE, UL, RoHS, ETL