

FIBER OPTIC DISTRIBUTION BOXES & ENCLOSURES

OPTICAL FIBRE CABLE DISTRIBUTION BOX IS A DISTRIBUTION DEVICE FOR TERMINALS IN FTTH SYSTEM. IT PROVIDES PROTECTION AND MANAGEMENT FOR FIBRE CABLES, AND BE USED FOR TERMINATING, CABLE BRANCHING, CROSS CONNECTION, AND SPLITTING.



FIBER OPTIC SPLICE CLOSURE 24 CORE

NS-SCL-24C-2120

DESCRIPTION

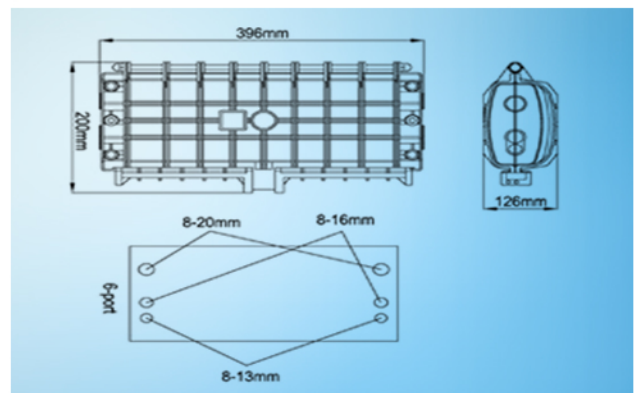
24 Fibers 2In-2Out Horizontal Fiber Optic Splice Closure, up to 48 Cores, Water-proof IP-68

FEATURES

- Advanced internal structure design, thus fiber suffering no attenuation.
- Easy to re-enter it never requires re-entry tool it.
- The closure is spacious enough for winding and storing fibers.
- Fiber Optic Splice Trays (FOSTs) are design in SLIDE-IN-LOCK and its opening angle is about 90°.
- The curved diameter meets with international standard.
- Easy and fast to increase and reduce FOSTs.
- Straight-through for uncutting and branching for cutting the fiber.

APPLICATIONS

- Suitable for bunchy & ribbon fibers.
- Aerial, underground, wall-mounting, handhole-mounting and duct-mounting.



OPTICAL SPLICE TRAYS



Type	Fibers/Tray	Max. Capacity	Tray#	Suitable Cable Dia. allowed(mm)
GJS-6002 I (Bunchy)	12F	72	019	2 round ports: 13mm
GJS-6002 II (Bunchy)	12-24F	96	020	2 round ports: 16mm
GJS-6002 III (Ribbon)	36F	144	021	2 round ports: 20mm

ACCESSORIES

No.	Name	Quantity	No.	Name	Quantity
1	Seal tape	1 roll	7	Desiccant	2 bags
2	Insulation tape	1 roll	8	Measuring paper	1 pc
3	Abrasive cloth	1 pc	9	Special wrench	1 pc
4	Earthing wire	1 pc	10	Hexagon wrench	2 pcs
5	Nylon tie	1 set	11	Hanging hook	1 set
6	Labeling paper	1 pc	12	Heat shrinkable Protective sleeve	1 bag