

RACKS

SERVER CABINET

A SERVER CABINET IS A COMBINATION OF HARDWARE STRUCTURES DESIGNED TO ACCOMMODATE TECHNICAL EQUIPMENT INCLUDING (ROUTERS, SWITCHES, HUBS, UPSs, CABLES) AND, OF COURSE, SERVERS.



NETWORK CABINET RACK 27U 60*80

NS-503GL27U6080

FEATURES

- Best sales and famous model floor rack.
- Reliable structure,static loading capacity: 800KGs (Optional castors and plinth).
- Adjustable feet and heavy duty castors are available simultaneously,moving conveniently and fixing reliably.
- Baying together easily,quickly,efficiently and firmly.
- Glass front door with metal panel and rear metal door
- Optional cable entry on top cover and bottom panel. Front,rear door and side panel can be removed facility, the bottom has the function of ventilation and rat-proof.
- Varies optional accessories,reliable quality.
- Optional opening hole and varies specification upon customers' special requirements.
- 8 heights: 18U,22U,24U,27U,32U,37U, 42U,47U (Can customize).

- 3 depth option: 800, 900 and 1000mm.
- Flexible packing methods allows for convenient stocking and end user delivery.
- Multiple sizes available.
- Customization requests welcome.

STANDARD AND MATERIAL

Comply with

- ANSI/EIA;RS-310-D;IEC297-2; DIN41491:PART1; DIN41494:PART7; GB/T3047.2-92
- Standard and ETSI standard.(grey).

SURFACE TREATMENT

- degreasing,pickling,phosphoric, powder coating.

MATERIAL

- SPCC cold rolled steel.

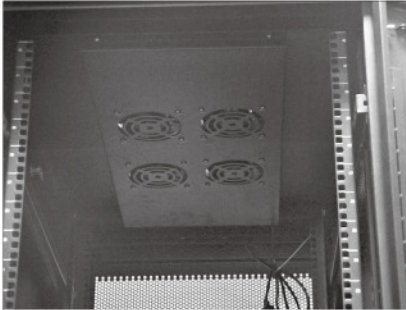
THICKNESS

- Mounting profile 2.0mm;
the others:1.0-1.2mm.

COLOR

- Body color:RAL9004(black);
RAL7035(grey).

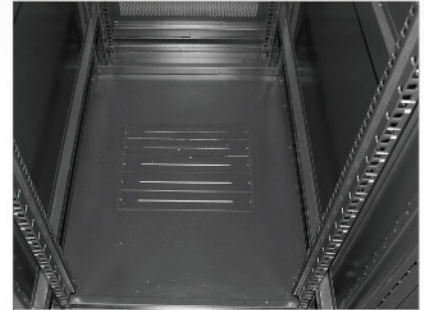
DIFFERENT ANGELS



• Top cover

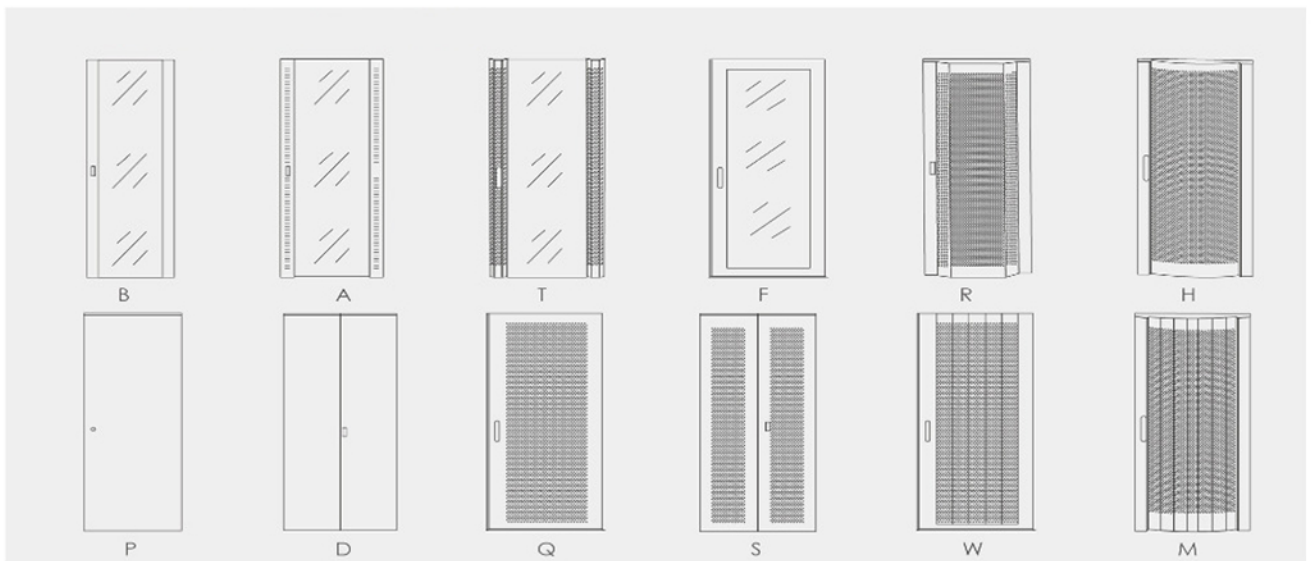


• Mounting angle



• Bottom panel

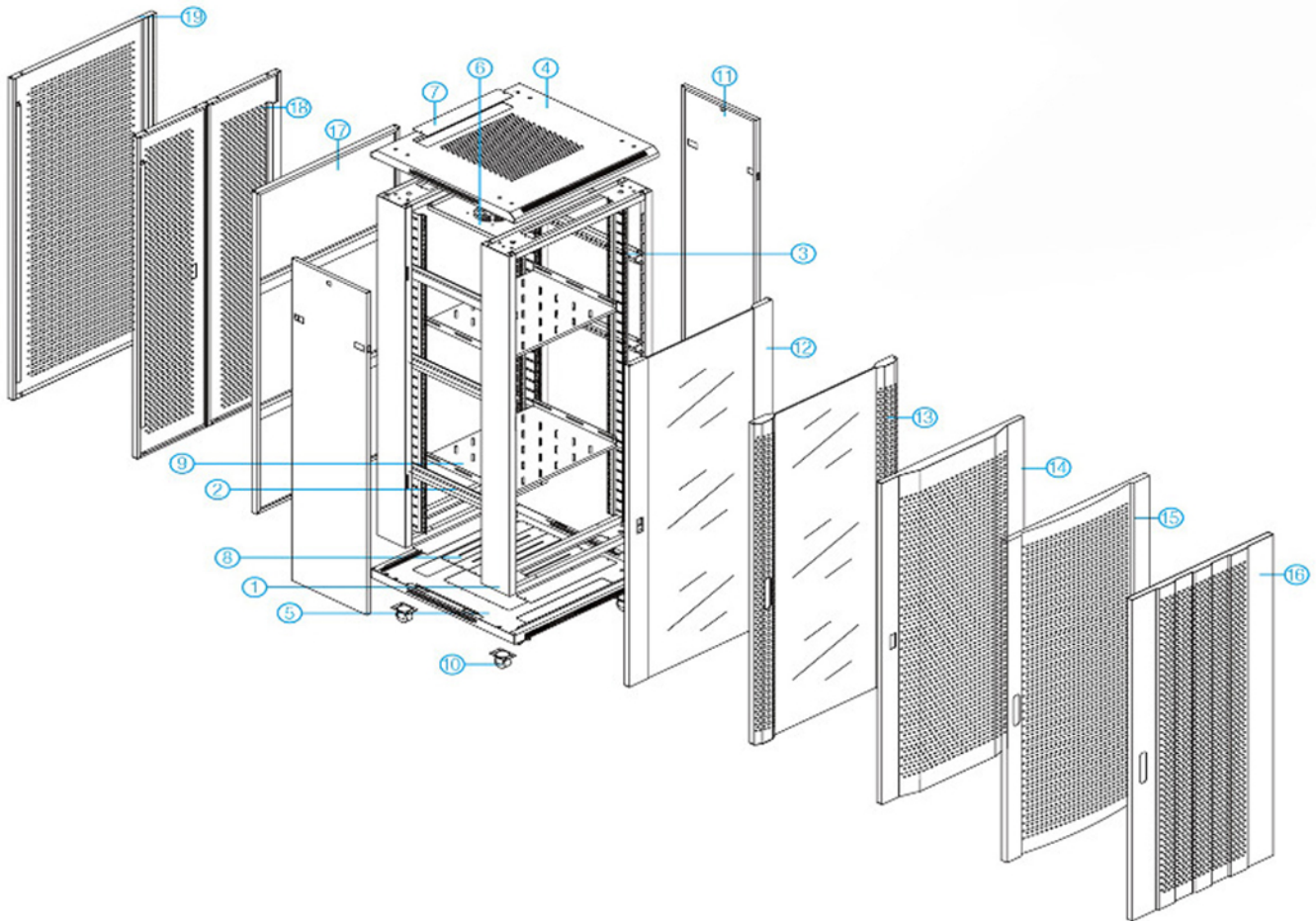
DOOR CATEGORY COLLECTION



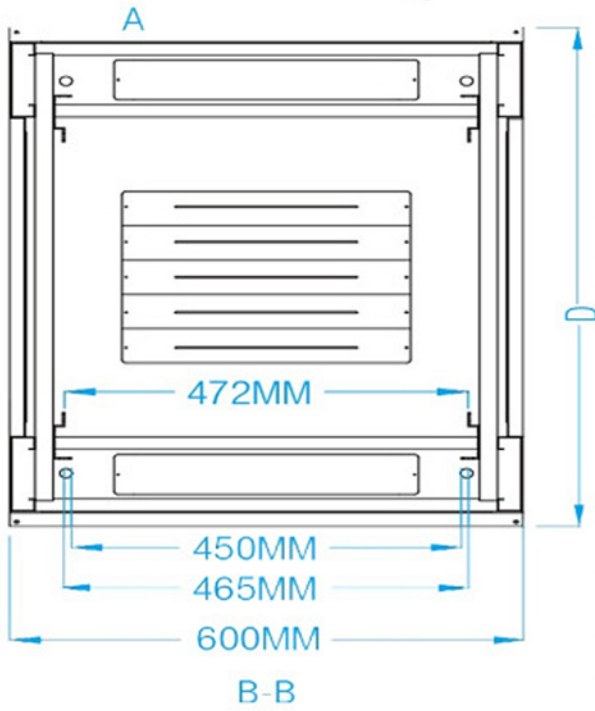
RACK LAYOUT

| No. | Name | Qty | SPCCT (mm) | No. | Name | Qty | SPCCT (mm) |
|-----|--|--------------------------------|------------|-----|--|--------------------------------|------------|
| 1 | Frame | 2 PCS | 1.2 | 14 | High density vented door | 1 PCS (Quantity as request) | 1.2 |
| 2 | Mounting angle | 4/6 PCS | 1.2 | 15 | Front door hexagonal reticular vented door | 1 PCS (Quantity as request) | 1.2 |
| 3 | Mounting Profile | 4 PCS | 2.0 | 16 | Vented rear door | 1 PCS (Quantity as request) | 1.2 |
| 4 | Top cover | 1 PCS | 1.2 | 17 | Steel front door | 1 PCS | 1.2 |
| 5 | Bottom panel | 1 PCS | 1.2 | 18 | Double-section vented door | 1 PCS (Quantity as request) | 1.2 |
| 6 | Fan tray | 1 PCS | 1.0 | 19 | Front door hexagonal reticular vented plate door | 1 PCS (Quantity as request) | 1.2 |
| 7 | Panel | 3 PCS | 1.0 | | | | |
| 8 | Cable entrance panel | 5 PCS | 1.0 | | | | |
| 9 | Fixed shelf | Quantity as request | 1.2 | | | | |
| 10 | Castor | 4 PCS | / | | | | |
| 11 | Side panel | 2 PCS | 1.0 | | | | |
| 12 | Tempered glass door | 1 PCS | 1.2 | | | | |
| 13 | Front door toughened glass & plate door border | 1 PCS (Quantity as request) | 1.2 | | | | |

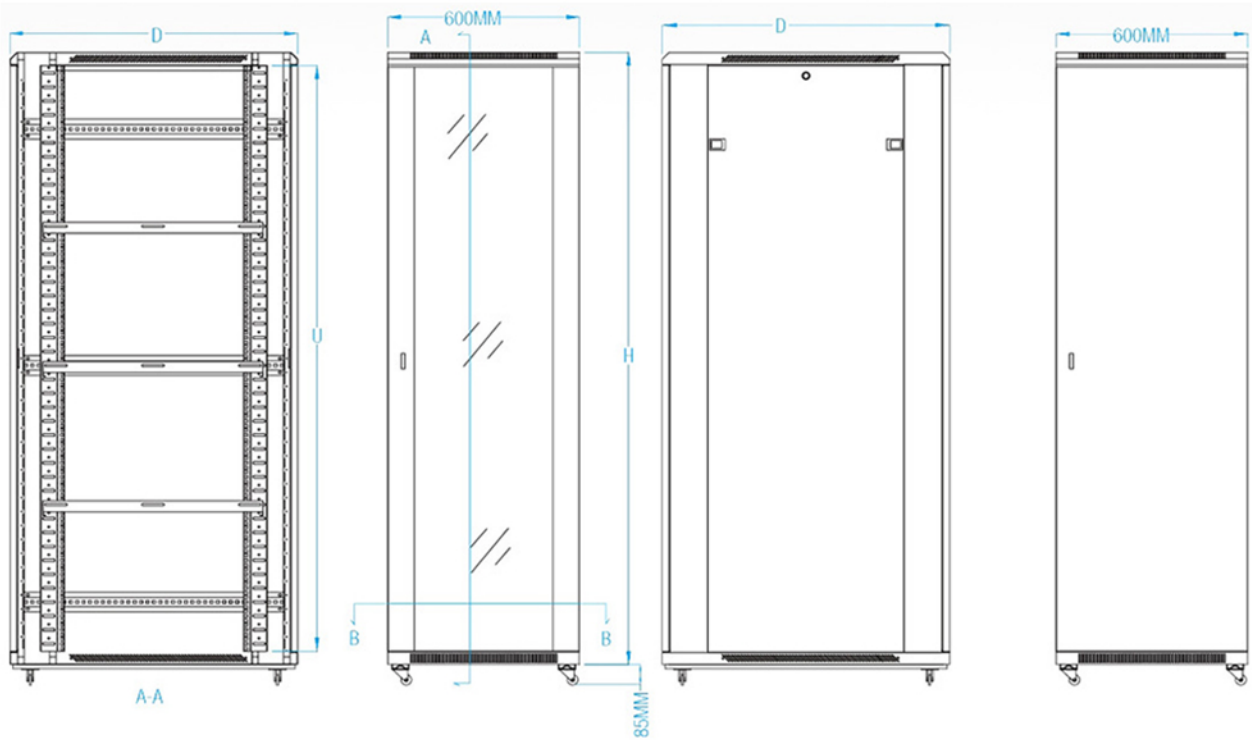
Remark: The cabinet size above 37U using 6 pcs mounting angle, under 37U using 4 pcs



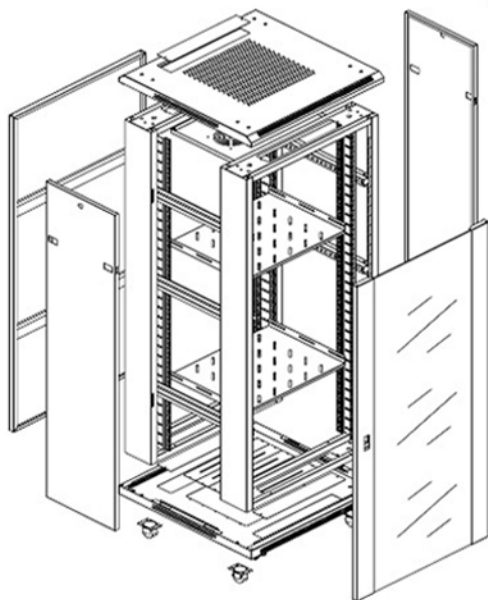
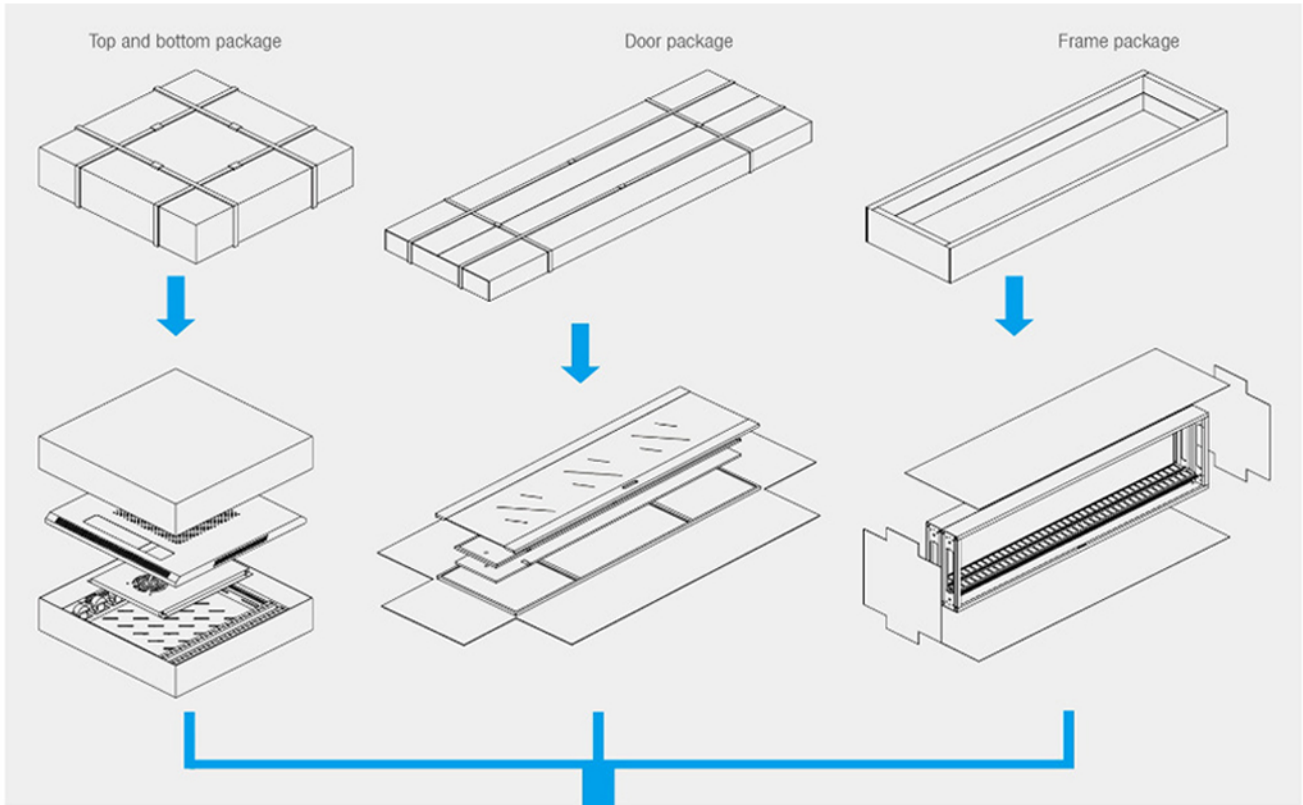
TECHNICAL SPECIFICATION



| Model | U | Width | Depth | Height |
|------------------|----|-------|-------|--------|
| NS-503GL18U6080 | 18 | 600 | 800 | 900 |
| NS-503VN18U6080 | | | 800 | |
| NS-503GL18U60100 | | | 1000 | |
| NS-503VN18U60100 | | | 1000 | |
| NS-503GL22U6080 | 22 | 600 | 800 | 1080 |
| NS-503VN22U6080 | | | 800 | |
| NS-503GL22U60100 | | | 1000 | |
| NS-503VN22U60100 | | | 1000 | |
| NS-503GL24U6080 | 24 | 600 | 800 | 1150 |
| NS-503VN24U6080 | | | 800 | |
| NS-503GL24U60100 | | | 1000 | |
| NS-503VN24U60100 | | | 1000 | |
| NS-503GL27U6080 | 27 | 600 | 800 | 1300 |
| NS-503VN27U6080 | | | 800 | |
| NS-503GL27U60100 | | | 1000 | |
| NS-503VN27U60100 | | | 1000 | |
| NS-503GL32U6080 | 32 | 600 | 800 | 1525 |
| NS-503VN32U6080 | | | 800 | |
| NS-503GL32U60100 | | | 1000 | |
| NS-503VN32U60100 | | | 1000 | |
| NS-503GL37U6080 | 37 | 600 | 800 | 1745 |
| NS-503VN37U6080 | | | 800 | |
| NS-503GL37U60100 | | | 1000 | |
| NS-503VN37U60100 | | | 1000 | |
| NS-503GL42U6080 | 42 | 600 | 800 | 1965 |
| NS-503VN42U6080 | | | 800 | |
| NS-503GL42U60100 | | | 1000 | |
| NS-503VN42U60100 | | | 1000 | |
| NS-503GL47U6080 | 47 | 600 | 800 | 2190 |
| NS-503VN47U6080 | | | 800 | |
| NS-503GL47U60100 | | | 1000 | |
| NS-503VN47U60100 | | | 1000 | |



RACK INSTALLATION



Exploded view



Assembled view

RACK IMAGES



FRONT DOOR



REAR DOOR