

**RACKS**

# SERVER CABINET

A SERVER CABINET IS A COMBINATION OF HARDWARE STRUCTURES DESIGNED TO ACCOMMODATE TECHNICAL EQUIPMENT INCLUDING (ROUTERS, SWITCHES, HUBS, UPSs, CABLES ) AND, OF COURSE, SERVERS.



## NETWORK CABINET RACK 37U 60\*80

## NS-503GL37U6080

### FEATURES

- Best sales and famous model floor rack.
- Reliable structure,static loading capacity: 800KGs (Optional castors and plinth).
- Adjustable feet and heavy duty castors are available simultaneously,moving conveniently and fixing reliably.
- Baying together easily,quickly,efficiently and firmly.
- Glass front door with metal panel and rear metal door
- Optional cable entry on top cover and bottom panel. Front,rear door and side panel can be removed facility, the bottom has the function of ventilation and rat-proof.
- Varies optional accessories,reliable quality.
- Optional opening hole and varies specification upon customers' special requirements.
- 8 heights: 18U,22U,24U,27U,32U,37U, 42U,47U (Can customize).

- 3 depth option: 800, 900 and 1000mm.
- Flexible packing methods allows for convenient stocking and end user delivery.
- Multiple sizes available.
- Customization requests welcome.

### STANDARD AND MATERIAL

Comply with

- ANSI/EIA;RS-310-D;IEC297-2; DIN41491:PART1; DIN41494:PART7; GB/T3047.2-92
- Standard and ETSI standard.(grey).

### SURFACE TREATMENT

- degreasing,pickling,phosphoric, powder coating.

## MATERIAL

- SPCC cold rolled steel.

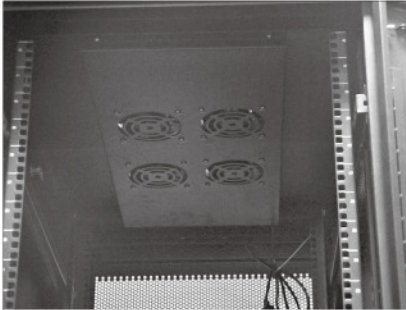
## THICKNESS

- Mounting profile 2.0mm;  
the others:1.0-1.2mm.

## COLOR

- Body color:RAL9004(black);  
RAL7035(grey).

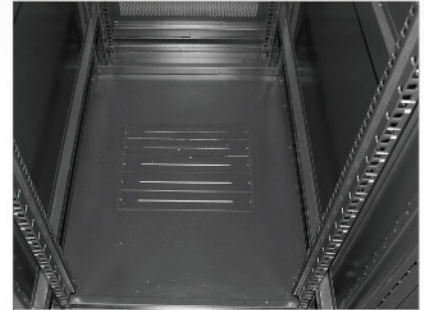
## DIFFERENT ANGELS



• Top cover

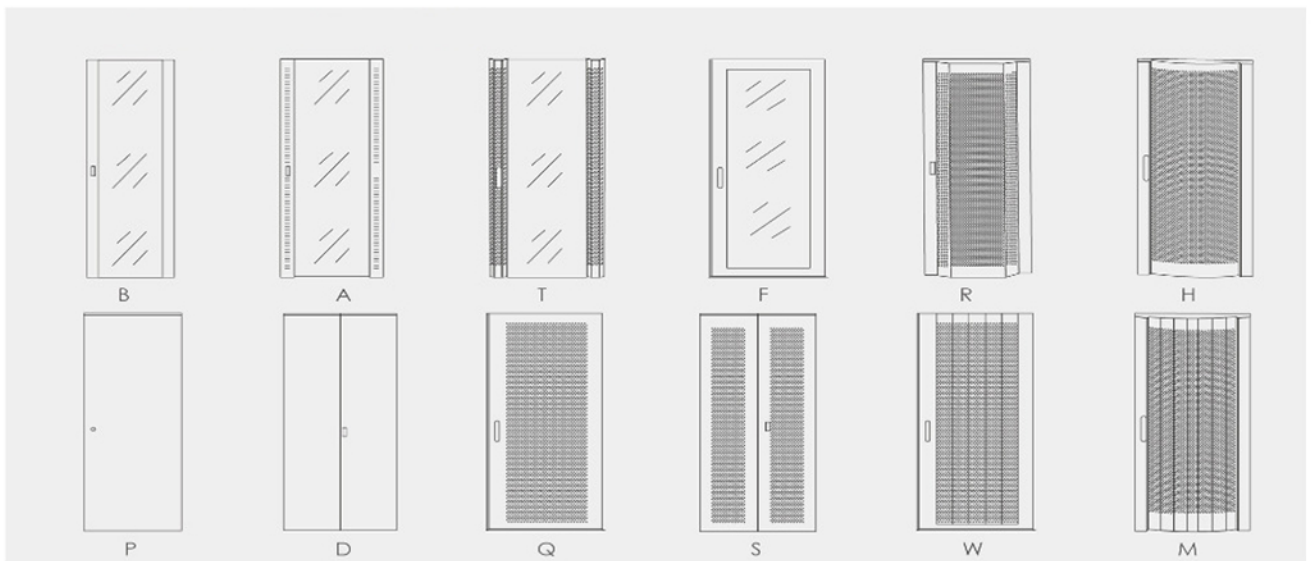


• Mounting angle



• Bottom panel

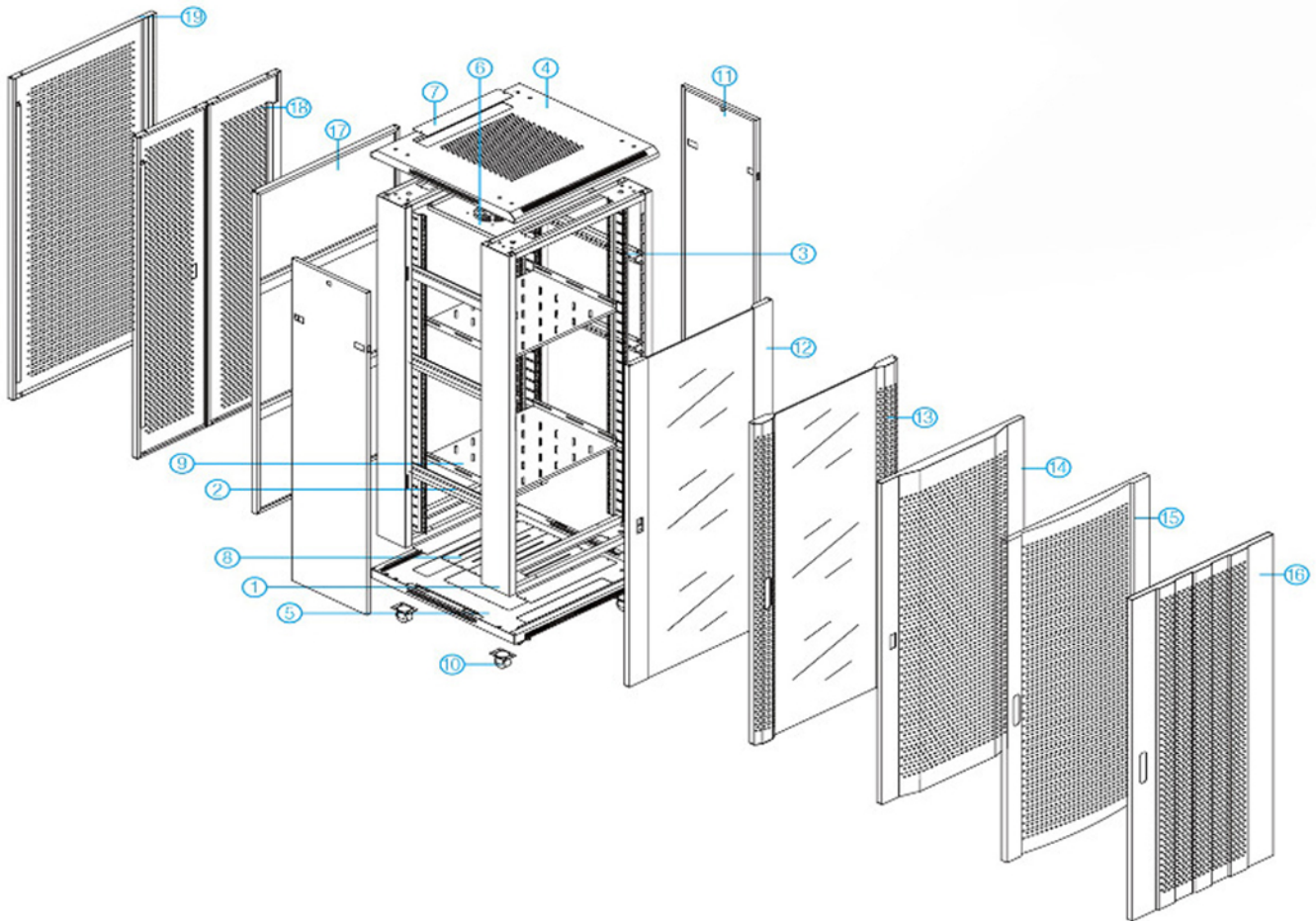
## DOOR CATEGORY COLLECTION



# RACK LAYOUT

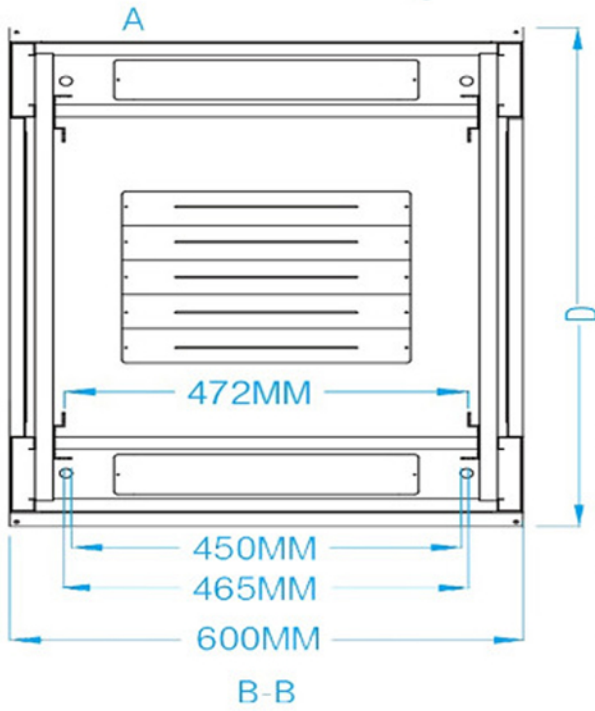
| No. | Name   | Qty                            | SPCCT (mm) | No. | Name   | Qty                            | SPCCT (mm) |
|-----|--|--------------------------------|------------|-----|--|--------------------------------|------------|
| 1   | Frame  | 2 PCS                          | 1.2        | 14  | High density vented door                         | 1 PCS<br>(Quantity as request) | 1.2        |
| 2   | Mounting angle                                 | 4/6 PCS                        | 1.2        | 15  | Front door hexagonal reticular vented door       | 1 PCS<br>(Quantity as request) | 1.2        |
| 3   | Mounting Profile                               | 4 PCS                          | 2.0        | 16  | Vented rear door                                 | 1 PCS<br>(Quantity as request) | 1.2        |
| 4   | Top cover                                      | 1 PCS                          | 1.2        | 17  | Steel front door                                 | 1 PCS                          | 1.2        |
| 5   | Bottom panel                                   | 1 PCS                          | 1.2        | 18  | Double-section vented door                       | 1 PCS<br>(Quantity as request) | 1.2        |
| 6   | Fan tray                                       | 1 PCS                          | 1.0        | 19  | Front door hexagonal reticular vented plate door | 1 PCS<br>(Quantity as request) | 1.2        |
| 7   | Panel  | 3 PCS                          | 1.0        |     |  |                                |            |
| 8   | Cable entrance panel                           | 5 PCS                          | 1.0        |     |  |                                |            |
| 9   | Fixed shelf                                    | Quantity as request            | 1.2        |     |  |                                |            |
| 10  | Castor   | 4 PCS                          | /          |     |  |                                |            |
| 11  | Side panel                                     | 2 PCS                          | 1.0        |     |  |                                |            |
| 12  | Tempered glass door                            | 1 PCS                          | 1.2        |     |  |                                |            |
| 13  | Front door toughened glass & plate door border | 1 PCS<br>(Quantity as request) | 1.2        |     |  |                                |            |

**Remark:** The cabinet size above 37U using 6 pcs mounting angle, under 37U using 4 pcs

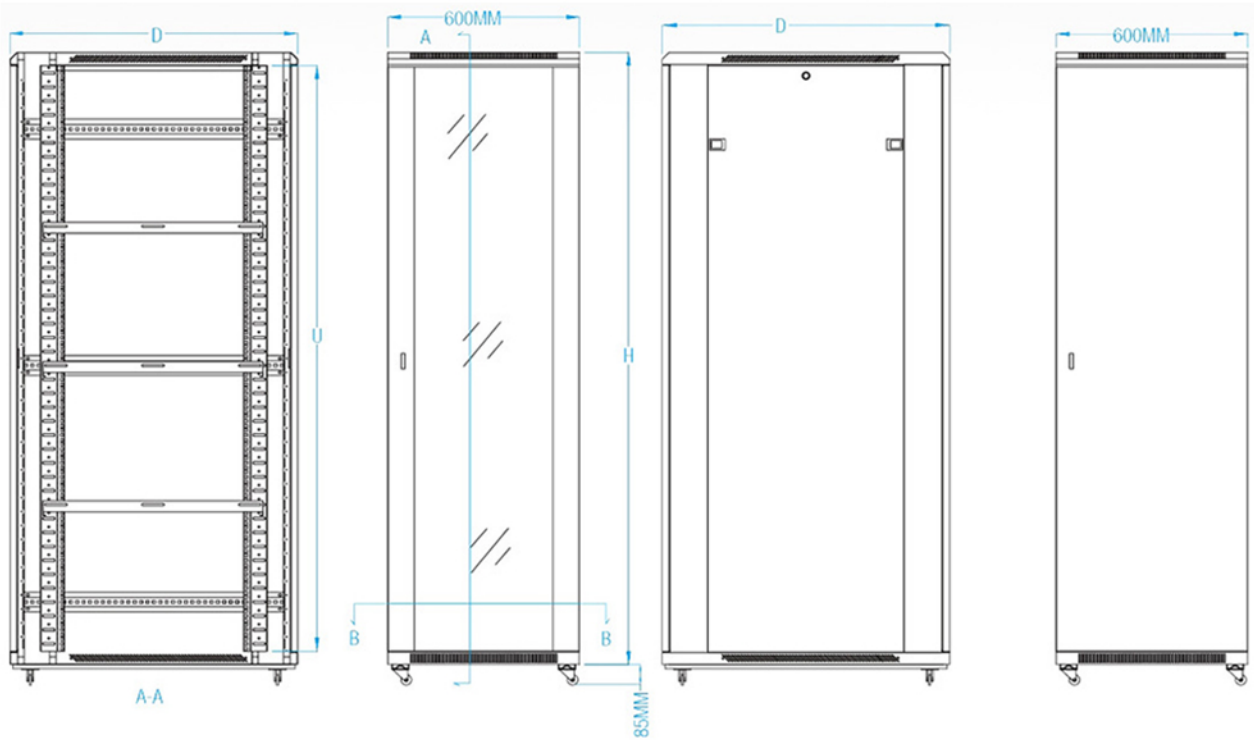




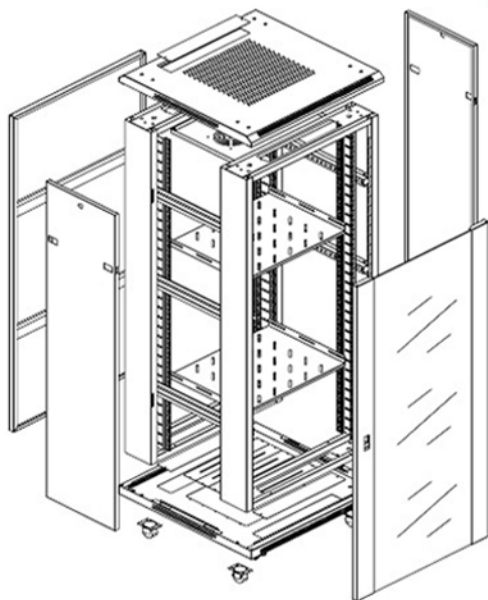
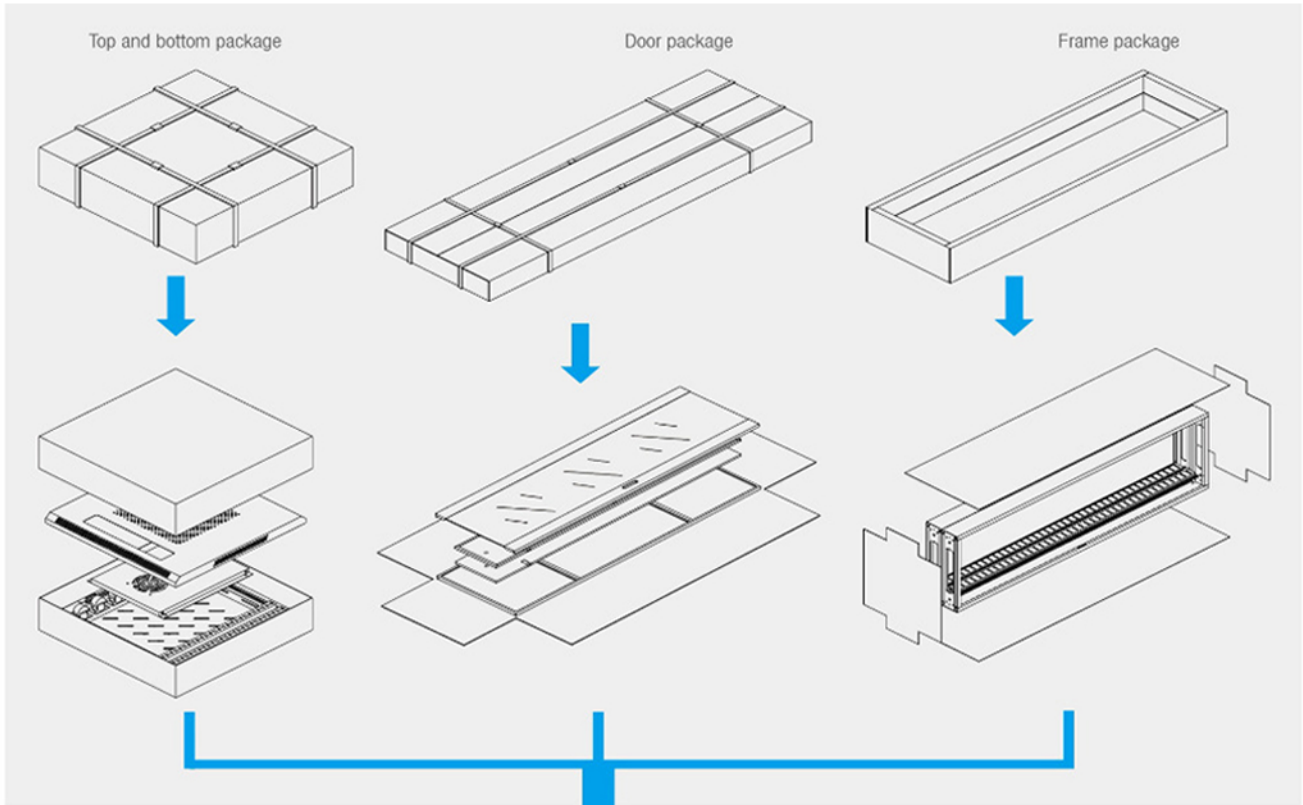
# TECHNICAL SPECIFICATION



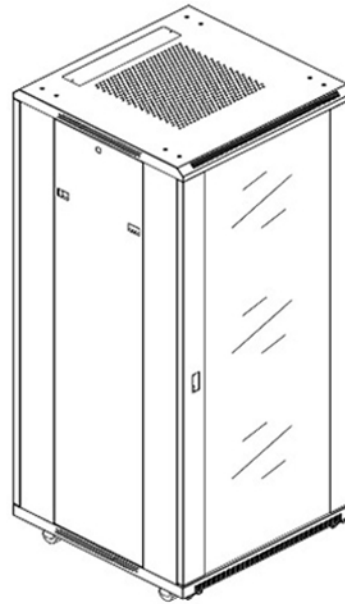
| Model            | U  | Width | Depth | Height |
|------------------|----|-------|-------|--------|
| NS-503GL18U6080  | 18 | 600   | 800   | 900    |
| NS-503VN18U6080  |    |       | 800   |        |
| NS-503GL18U60100 |    |       | 1000  |        |
| NS-503VN18U60100 |    |       | 1000  |        |
| NS-503GL22U6080  | 22 | 600   | 800   | 1080   |
| NS-503VN22U6080  |    |       | 800   |        |
| NS-503GL22U60100 |    |       | 1000  |        |
| NS-503VN22U60100 |    |       | 1000  |        |
| NS-503GL24U6080  | 24 | 600   | 800   | 1150   |
| NS-503VN24U6080  |    |       | 800   |        |
| NS-503GL24U60100 |    |       | 1000  |        |
| NS-503VN24U60100 |    |       | 1000  |        |
| NS-503GL27U6080  | 27 | 600   | 800   | 1300   |
| NS-503VN27U6080  |    |       | 800   |        |
| NS-503GL27U60100 |    |       | 1000  |        |
| NS-503VN27U60100 |    |       | 1000  |        |
| NS-503GL32U6080  | 32 | 600   | 800   | 1525   |
| NS-503VN32U6080  |    |       | 800   |        |
| NS-503GL32U60100 |    |       | 1000  |        |
| NS-503VN32U60100 |    |       | 1000  |        |
| NS-503GL37U6080  | 37 | 600   | 800   | 1745   |
| NS-503VN37U6080  |    |       | 800   |        |
| NS-503GL37U60100 |    |       | 1000  |        |
| NS-503VN37U60100 |    |       | 1000  |        |
| NS-503GL42U6080  | 42 | 600   | 800   | 1965   |
| NS-503VN42U6080  |    |       | 800   |        |
| NS-503GL42U60100 |    |       | 1000  |        |
| NS-503VN42U60100 |    |       | 1000  |        |
| NS-503GL47U6080  | 47 | 600   | 800   | 2190   |
| NS-503VN47U6080  |    |       | 800   |        |
| NS-503GL47U60100 |    |       | 1000  |        |
| NS-503VN47U60100 |    |       | 1000  |        |



# RACK INSTALLATION



Exploded view



Assembled view

# RACK IMAGES



FRONT DOOR



REAR DOOR